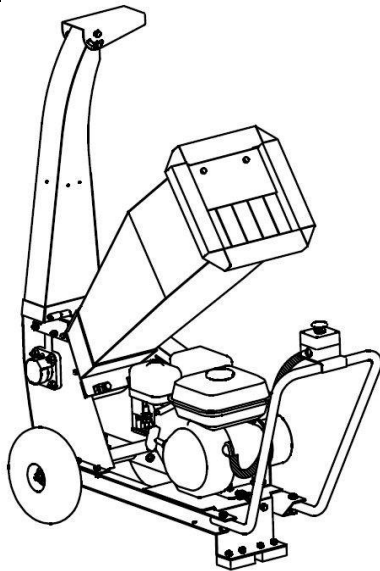


**IMPORTANT:** Please read and save these instructions. Read through this owner's manual carefully before using product. Protect yourself and others by observing all safety information, warnings and cautions. Failure to comply with instructions could result in personal injury and/or damage to product or property. Please retain instructions for future reference.

# Wood chipper

---



Due to continuing improvements, actual product may differ slightly from the product described herein.

## **OPERATING INSTRUCTIONS**

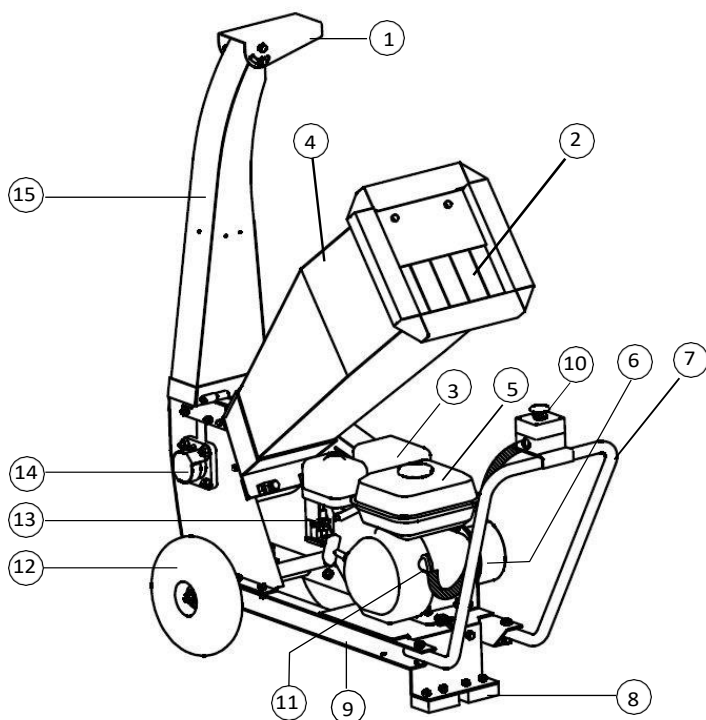
---



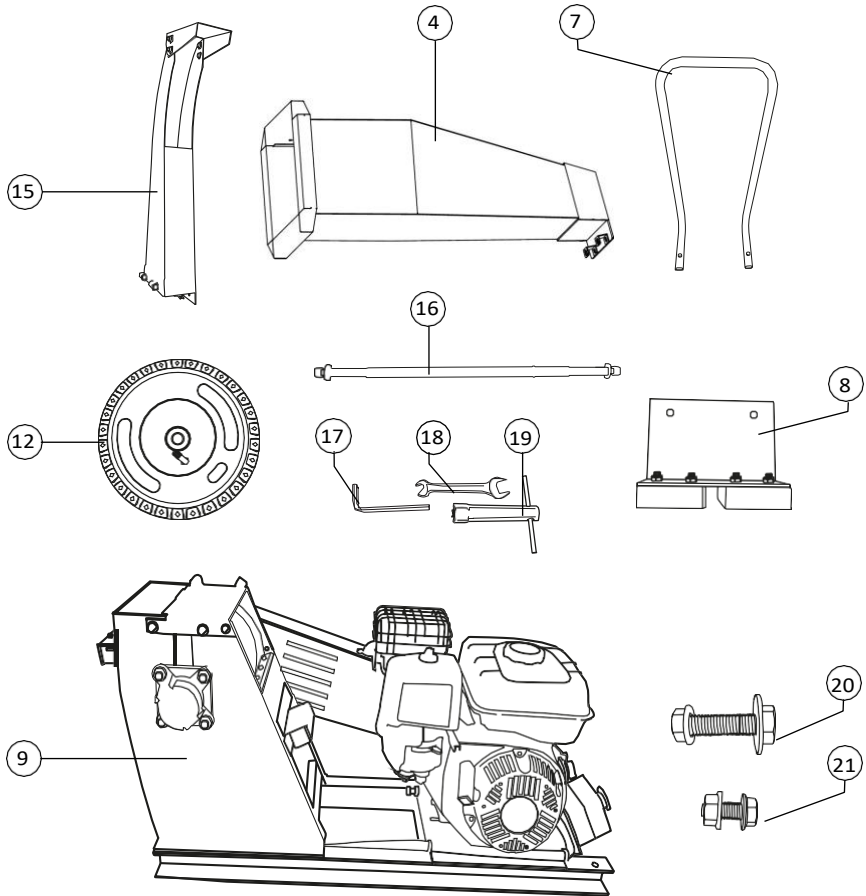
## SPECIFICATIONS

Model	JRE-1005P	JRE-1005L	JRE-1005A	JRE-1007P	JRE-1007L
Unit Mass	84kg	84kg	84kg	175kg	175kg
Max. Cutting Speed	2800rpm	2800rpm	2800rpm	2400rpm	2400rpm
Engine Speed	3600rpm	3600rpm	3600rpm	3600rpm	3600rpm
Engine Displacement	212cc	196cc	208cc	389cc	389cc
Motor Power	4.2kw	4.1kw	3.88kw	7.5kw	8.2kw
Fuel Volume	3.6L	3.6L	3.0L	6.5L	6.5L
Oil Volume	0.6L	0.6L	0.6L	1.1L	1.1L

## KNOW YOUR PRODUCT



# KNOW YOUR PRODUCT (cont.)



- |                          |  |
|--------------------------|--|
| 1. Discharge chute cover | 15. Discharge chute                        |
| 2. Hopper inlet          | 16. Axle                                   |
| 3. Muffler               | 17. Hex key                                |
| 4. Hopper                | 18. Spanner x 2                            |
| 5. Fuel tank             | 19. Spark plug tool                        |
| 6. Oil filler cap        | 20. M10 Handle assembly fasteners x 2      |
| 7. Transport Handle      | 21. M8 Foot mounting bracket fasteners x 2 |
| 8. Foot mounting bracket |  |
| 9. Base frame            |  |
| 10. Emergency stop       |  |
| 11. Engine On/Off switch |  |
| 12. Wheel x 2            |  |
| 13. Air filter           |  |
| 14. Blade shaft cover    |  |

## TABLE OF CONTENTS

SPECIFICATIONS.....	Page 02
KNOW YOUR PRODUCT.....	Page 02
INTRODUCTION.....	Page 05
SAFETY INSTRUCTIONS.....	Page 05
ASSEMBLY.....	Page 09
PRE-OPERATION CHECK.....	Page 13
OPERATION.....	Page 15
MAINTENANCE.....	Page 20
TRANSPORT & STORAGE.....	Page 24
TROUBLESHOOTING.....	Page 25
CONTENTS.....	Page 26
DESCRIPTION OF SYMBOLS.....	Page 27

## INTRODUCTION

Congratulations on purchasing a JR petrol wood chipper.

It has been designed for shredding garden material such as trees, branches, hedge cuttings, leaves and general woody garden material. It is best suited for branches up to 50mm diameter green and 30mm diameter dry.

### Engine manual

The engine manufacturer is responsible for all engine-related issues with regards to performance, power rating, specifications, warranty and service. Please refer to the Engine Manufacturer owner/operator manual, packed separately with your unit, for more information.

## SAFETY INSTRUCTIONS



**WARNING!** When using this equipment, basic safety precautions, including the following, should always be followed to reduce risk of fire, electric shock, personal injury and material damage.

Read and understand the manual prior to operating this tool.

Save these instructions and other documents supplied with this tool for future reference.

## GENERAL SAFETY WARNINGS

### RISK OF EXPLOSION OR FIRE

#### What can happen:

- ¥ Spilled petrol and its vapours can become ignited from cigarette sparks, electrical arcing, exhaust gases and hot engine components such as the muffler.
- ¥ Heat will expand fuel in the tank which could result in a fire.
- ¥ Operating the tool in an explosive environment could result in a fire.
- ¥ Muffler exhaust heat can damage painted surfaces, melt any materials sensitive to heat (such as siding plastic, rubber or vinyl) and damage live plants. Keep hot tool away from other objects.

## GENERAL SAFETY WARNINGS (cont.)

¥ Improperly stored fuel could lead to accidental ignition. Fuel improperly secured could get into the hands of children or other unqualified persons.

### **How to prevent it:**

- ¥ Shut off engine and allow it to cool before adding fuel to the tank.
- ¥ Use care when filling the tank to avoid spilling fuel. Move tool away from fuelling area before starting engine.
- ¥ Keep maximum fuel level 20mm below top of tank to allow for expansion.
- ¥ Operate and refuel in well ventilated areas free from obstructions. Never re-fuel indoors.
- ¥ Store fuel in a approved container (AS/NZS 2906-1999) for petrol. Store in a secure location away from the work area. Make sure the container is clearly marked "fuel".

## **RISK TO BREATHING**

### **What can happen:**

¥ Breathing exhaust fumes can cause serious injury or death.

### **How to prevent it:**

- ¥ Operate tool in a well ventilated area. Avoid enclosed areas.
- ¥ Never operate unit in a location occupied by other people or animals.

## **SAVE THESE INSTRUCTIONS**

### **1) Work area**

- a) **Keep work area clean and well lit. Cluttered and dark areas invite accidents.**
- b) **Do not operate petrol tools in explosive atmospheres, such as in the presence of flammable liquids, gases, or dust.** Power tools create sparks which may ignite the dust or fumes.
- c) **Keep children and bystanders away while operating a petrol tool.**  
Distractions can cause you to lose control.

### **2) Personal safety**

- a) **Stay alert, watch what you are doing and use common sense when operating a petrol tool.** Do not use a power tool while you are tired or under the influence of drugs, alcohol, or medication. A moment of inattention while operating power tools may result in serious personal injury.
- b) **Use safety equipment. Always wear eye protection.** Safety equipment such as a dust mask, non-skid safety shoes, hard hat, or hearing protection used for appropriate conditions will reduce personal injuries.
- c) **Remove any adjusting key or wrench before turning the tool on.** A wrench or a key that is left attached to a rotating part of the petrol tool may result in personal injury.
- d) **Do not overreach. Keep proper footing and balance at all times.** This enables better control of the petrol tool in unexpected situations.
- e) **Dress properly. Do not wear loose clothing or jewellery.** Keep your hair, clothing and gloves away from moving parts. Loose clothes, jewellery or long hair can be caught in moving parts.
- f) **If devices are provided for the connection of dust extraction and collection facilities ensure that these are connected and properly used.** Use of these devices can reduce dust-related hazards.

## GENERAL SAFETY WARNINGS (cont.)

### 3) Petrol tool use and care

- a) **Do not force the petrol tool. Use the correct petrol tool for your application.** The correct petrol tool will do the job better and safer at the rate for which it was designed.
- b) **Do not use the petrol tool if the switch does not turn it on and off.** Any petrol tool that cannot be controlled with the switch is dangerous and must be repaired.
- c) **Turn tool off completely before making any adjustments, changing accessories, or storing petrol tools.** Such preventive safety measures reduce the risk of starting the petrol tool accidentally. Hair can be caught in moving parts.
- d) **Store idle petrol tools out of the reach of children and do not allow persons unfamiliar with the petrol tool or these instructions to operate the petrol tool.** Petrol tools are dangerous in the hands of untrained users.
- e) **Maintain petrol tools. Check for misalignment or binding of moving parts, breakage of parts and any other condition that may affect the petrol tool's operation.** If damaged, have the petrol tool repaired before use. Many accidents are caused by poorly maintained petrol tools.
- f) **Keep cutting tools sharp and clean.** Properly maintained cutting tools with sharp cutting edges are less likely to bind and are easier to control.
- g) **Use the petrol tool, accessories and tool bits etc., in accordance with these instructions and in the manner intended for the particular type of petrol tool, taking into account the working conditions and the work to be performed.** Use of the petrol tool for operations different from intended could result in a hazardous situation.
- h) **This appliance is not intended for use by persons (including children) with reduced physical, sensory or mental capabilities, or lack of experience and knowledge,** unless they have been given supervision or instruction concerning use of the appliance by a person responsible for their safety.
- i) **Children should be supervised to ensure that they do not play with the appliance.**

### 4) Service

- a) **Have your petrol tool serviced by a qualified repair personnel using only identical replacement parts.** This will ensure that the safety of the petrol tool is maintained.

## WOOD CHIPPER SAFETY WARNINGS

### Safe operating practices

#### Training

Become familiar with the owner's manual before attempting to operate this equipment.

#### Preparation

- 1) Do not allow children to operate this equipment;
- 2) Do not operate this equipment in the vicinity of bystanders;
- 3) Do not run engine powered machines in an enclosed area since the exhaust from an engine contains carbon monoxide, which is colourless, odourless, and tasteless; carbon monoxide can be extremely dangerous in enclosed areas;
- 4) Wear ear protection and safety glasses at all times while operating the machine;
- 5) Avoid wearing clothing that is loose fitting or that has hanging cords or ties;

# WOOD CHIPPER SAFETY WARNINGS

- 6) Only operate the machine in open space (e.g. not close to a wall or other fixed object) and on a firm, level surface;
- 7) Not operate the machine on a paved or gravel surface where ejected material could cause injury;
- 8) Before starting the machine, check that all screws, nuts, bolts, and other fasteners are properly secured and that guards and screens are in place. Replace damaged or unreadable labels;
- 9) Use extra care in handling fuels. They are flammable and the vapours are explosive. The following points should be observed:
  - Use only an approved container;
  - Never remove the fuel cap or add fuel with the power source running. Allow engine and exhaust components to cool before refuelling;
  - Do not smoke;
  - Never refuel the machine indoors;
  - Never store the machine or fuel container inside where there is an open flame, such as a water heater;
  - If fuel is spilled, do not attempt to start the power source, but move the machine away from the area of spillage before starting;
  - Always replace and securely tighten the fuel cap after refuelling;
  - If the fuel tank is drained, this should be done outdoors.

## Operation

- 1) Before starting the machine, look into the feeding chamber to make certain that it is empty;
- 2) Keep your face and body away from the feed intake opening;
- 3) Do not allow hands or any other part of the body or clothing inside the feeding chamber, discharge chute, or near any moving part;
- 4) Keep proper balance and footing at all times. Do not overreach. Never stand at a higher level than the base of the machine when feeding material into it;
- 5) Always stand clear of the discharge zone when operating this machine;
- 6) When feeding material into the machine be extremely careful that pieces of metal, rocks, bottles, cans or other foreign objects are not included;
- 7) If the cutting mechanism strikes any foreign objects or if the machine should start making any unusual noise or vibration, shut off the power source and allow the machine to stop. Disconnect the spark plug wire from the spark plug (electric unit disconnect from supply) and take the following steps:
  - Inspect for damage;
  - Check for and tighten any loose parts ;
  - Have any damaged parts replaced or repaired with parts having equivalent specifications.
- 8) Do not allow processed material to build up in the discharge zone; this may prevent proper discharge and can result in kickback of material through the feed intake opening;
- 9) If the machine becomes clogged at the inlet opening or discharge chute shut-off the power source and disconnect the spark plug wire or remove the ignition key before clearing debris in the inlet opening or discharge chute. Keep the power source clear of debris and other accumulations to prevent damage to the power source or possible fire. Remember that operating the starting mechanism on engine powered machines will still cause the cutting means to move;
- 10) Keep all guards and deflectors in place and in good working condition;
- 11) Do not tamper with the power source governor settings; the governor controls the safe maximum operating speed and protects the power source and all moving parts from damage caused by over-speed. Seek authorised service if a problem exists;
- 12) Do not transport this machine while the power source is running;
- 13) Shut off the power source and disconnect the spark plug lead (electric unit disconnect from supply) whenever you leave the work area;
- 14) Do not tilt the machine while the power source is running.



# WOOD CHIPPER SAFETY WARNINGS (cont).

## Maintenance and storage

- a) When the machine is stopped for servicing, inspection, or storage, or to change an accessory, shut off the power source, disconnect the spark plug wire from the spark plug (electric unit disconnect from supply), make sure that all moving parts have come to a complete stop and, where a key is fitted remove the key. Allow the machine to cool before making any inspections, adjustments, etc.
- b) Store the machine where fuel vapour will not reach an open flame or spark. For extended storage periods, run the unit dry of fuel. Always allow the machine to cool before storing;
- c) When servicing the cutting means be aware that, even though the power source will not start due to the interlock feature of the guard, the cutting means can still be moved by a manual starting mechanism.

## ASSEMBLY



**CAUTION!** Some parts are heavy, two-person lift may be required to avoid injury.



**WARNING!** Ensure the tool has been shut off and completely stopped before performing any of the following operations.

## Wheels & Axle

1. Slide a wheel (12) with valve stem facing out onto the axle (16) (fig. 1).

**Note:** Slide the first wheel on the circlip side of the axle (16).

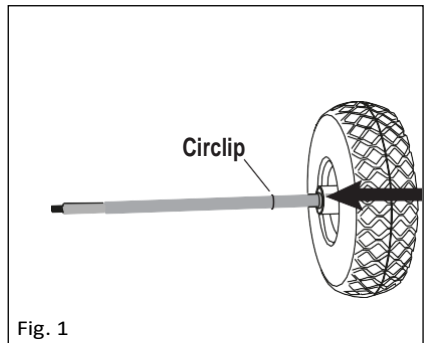


Fig. 1

2. To secure, place the wheel washer and nut onto the axle. Tighten the nut (fig. 2).

**Note:** Only assemble one wheel (12) at this stage.

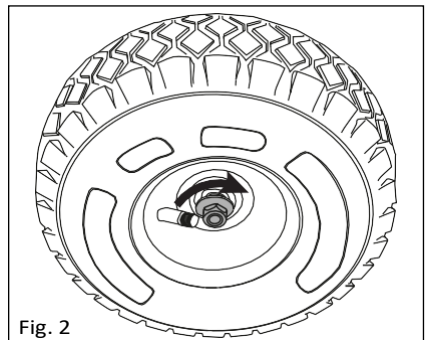


Fig. 2

## ASSEMBLY (cont).

- Slide the axle through the hole in the base frame (9) and out the other side (fig. 3).

**Note:** The circlip on the axle (16) will prevent the wheel (12) touching the base frame (9).

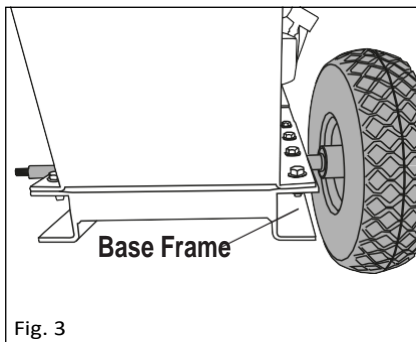


Fig. 3

- Place the second wheel (12) on the protruding end of the axle (16) and secure in place with the wheel washer and nut. Tighten the nut.

**Note:** By tightening the wing bolt on the axle frame (fig. 4) the axle (16) will be held in position and allow the wheel nuts to be tightened fully.

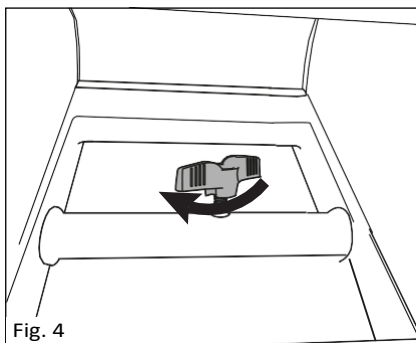


Fig. 4

- Check and maintain tyre pressure at 20 psi.

### Transport Handle

- Place the transport handle (7) on the base frame (9). Align the holes in the handle (7) and the base frame (9). From the handle assembly fasteners (20), insert each bolt with washer from the top. Secure in place with nut (fig. 5,6).

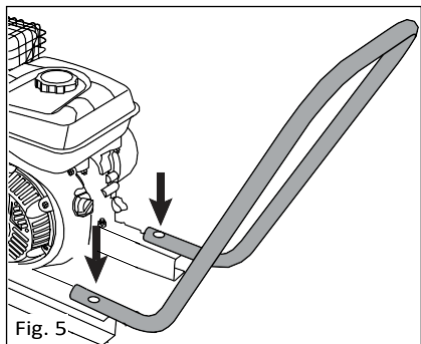


Fig. 5

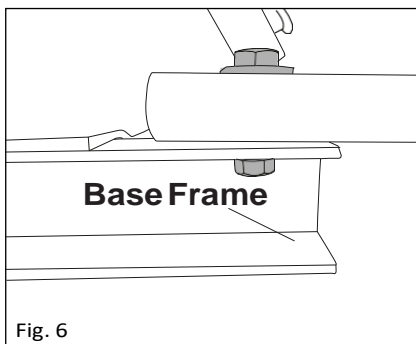
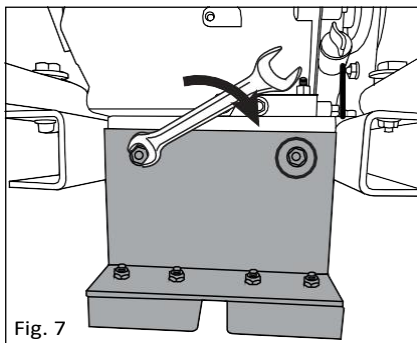


Fig. 6

## ASSEMBLY (cont).

### Foot Mounting Bracket

1. Align the holes in the foot mounting bracket (8) with those in the base frame (9) and secure in place using the two bolts and nuts from the foot mounting bracket fasteners (21). Using a 12mm spanner securely tighten both nuts (fig. 7).

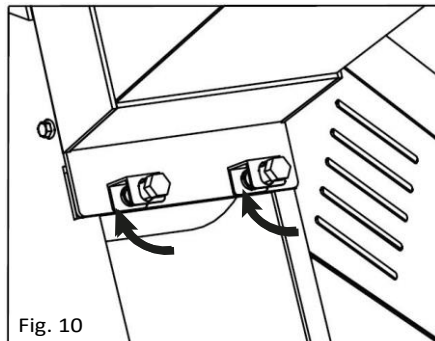
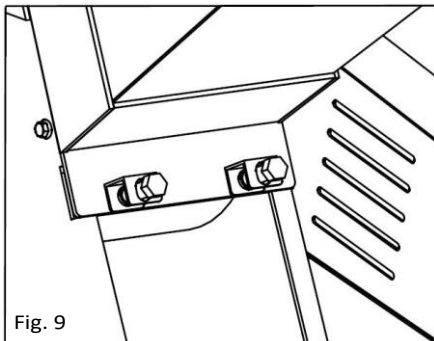
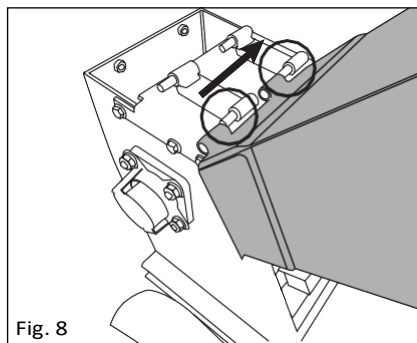


### Hopper



**WARNING!** DO NOT place hands or any other body parts inside the cutter head opening. DO NOT touch the blades with your hands or any other body parts.

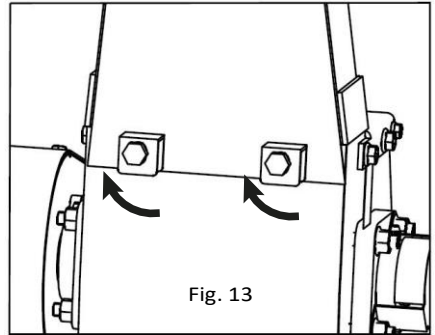
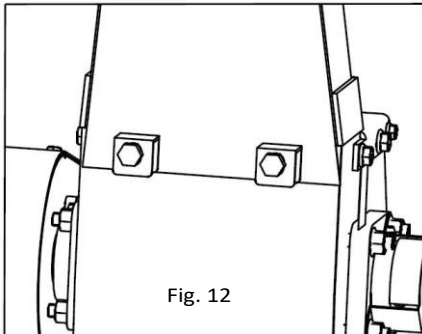
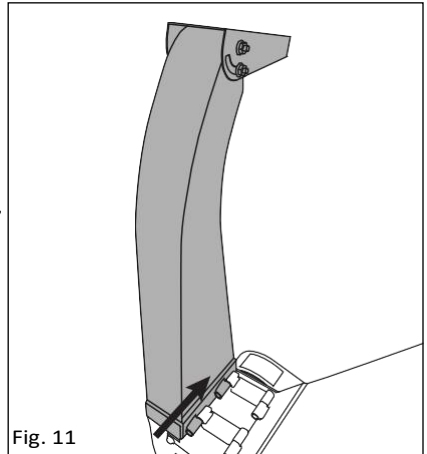
1. Place the hopper (4) in position on the base frame (9) above the cutting blades and slide it across so that the pins of the frame engage the hinges on the hopper (4) (fig. 8).
2. Check the lower side of the hopper (4), so that the two holes are aligned with the holes in the frame. (fig. 9).
3. Tighten the two bolts safely with the 13mm wrench clockwise (fig. 10).



## ASSEMBLY (cont.)

### Discharge Chute

1. Place the discharge chute (15) in position on the rear of the base frame (9) and slide it across so that the pins of the frame engage the hinges on the discharge chute (15), (fig. 11).
2. Check the lower side of discharge chute (15), so that the two holes are aligned with the holes in the frame. (fig. 12).
3. Tighten the two bolts safely with the 13mm wrench clockwise (fig. 13).



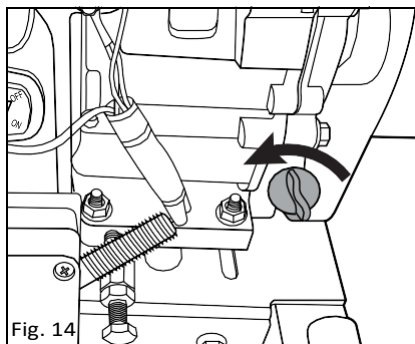
**IMPORTANT!** It is necessary to ensure that the bolts of the fixed funnel (4) and the unloading chute (15) are fastened, otherwise there will be danger.

## PRE-OPERATION CHECK

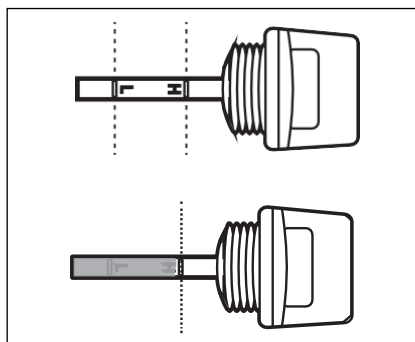
### Adding Oil

**Note:** The wood chipper is shipped without oil and must be filled before starting. Engine sump capacity : JRE-1005:600ml,JRE-1007:1100ml. (Use SAE30 or 10W30 oil).

1. Be sure to check that the wood chipper is on a level surface with the engine stopped.
2. Remove the oil filler cap (6), and wipe the dipstick with a clean rag. Check the oil level by inserting the dipstick in the filler hole without screwing it in and then removing it again (fig. 14).



3. If the oil level is below the end of the dipstick, refill ( use a funnel, do not tip wood chipper) until it registers on the halfway mark of the dipstick (fig. 15). Use premium quality 4-stroke engine oil. Recommended SAE30 or 10W30 for most climate conditions in Australia.



**CAUTION!** Using non-detergent oil or 2-stroke engine oil could shorten the engines service life.

### Air filter

The air filter (13) must always be in perfect working order, to prevent debris and dust from being sucked into the engine thus reducing the efficiency and life of the engine.

¥ Always keep the air filter (13) free of debris and in perfect working order.

¥ If necessary, replace the filter with an original spare part. Incompatible filtering can impair the efficiency and life of the engine.

¥ Never start the engine without the air filter (13) assembled.

¥ To change the air filter (13) refer to the maintenance section of the engine instruction manual.

## PRE-OPERATION CHECK (cont.)

### Adding Fuel



**WARNING!** Keep away from cigarettes, smoke and sparks when refuelling the engine. Always refuel in a well-ventilated location.

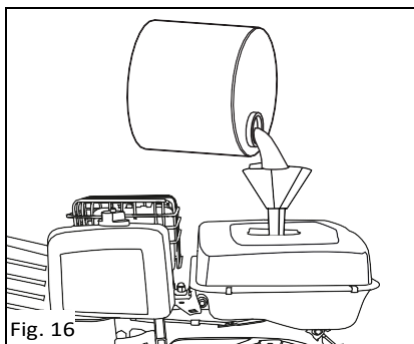
**WARNING!** Be careful not to spill fuel when refuelling. Spilled fuel or fuel vapour may ignite. If any fuel is spilled, make sure the area is dry before starting the engine.

**WARNING!** Do not over fill the fuel tank.

**WARNING!** Do not refill tank while engine is running or hot.

**Note:** Only use unleaded 91 RON (Research Octane Number) petrol. Purchase fuel in quantities that can be used every 30 days to prevent gum or foaming inside the container and/or fuel tank

1. Place the wood chipper on a flat level surface.
2. Ensure the engine is switched OFF.
3. Remove the fuel cap from the top of the fuel tank (5).
4. Using a funnel, carefully fill the tank (5) with fuel (fig. 16).
5. Fasten the fuel cap and clean any spillage.



### Drive Belt

To ensure optimum power from the engine the drive belt must be in good condition and operate under proper tension. To remove, install and inspect the drive belt refer to the maintenance section of this instruction manual.

### Spark plug



**CAUTION!** Not all spark plugs for engines are the same.

- ¥ Use only the spark plug that is recommended for this wood chipper.
- ¥ Make sure that the electrode is clean and the air gap is correct (refer to the specs of the spark plug manufacturer).
- ¥ To remove, install and inspect the spark plug refer to the maintenance section of the engine instruction manual.

# OPERATION

## Starting the Engine (fig 17,18,19)




**WARNING!** Ensure you have filled the engine sump with engine oil before starting the engine. The dipstick must indicate the oil level is at maximum for the unit to start.



**WARNING!** Prior to starting the engine ensure the hopper (4) is empty. Ensure you wear safety gloves, safety glasses and earmuffs when the wood chipper is in use.

1. **ENGINE ON/OFF SWITCH** - Move the engine on/off switch to the ON position.
2. **FUEL** - Move the fuel lever to the right, OPEN position.
3. **CHOKE** - Move the choke lever to the left, choke (closed) start position.

**Note:** If the engine is still hot, closing the choke is not necessary.

4. **THROTTLE** - Move the throttle lever slightly left towards the  symbol.

5. **STARTER** - Grip the recoil starter and slowly pull until resistance is felt, then pull the recoil starter rapidly. Allow the rope to rewind slowly and if necessary, repeat this procedure until the engine starts.
6. Once started move the choke lever right (run) position and open the throttle lever further left - run at full speed.



**IMPORTANT!** Ensure the hopper (4) and discharge chute (15) are fitted and secured with T-bolts (20) otherwise the safety interlock will prevent the motor from starting.

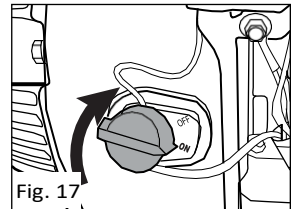


Fig. 17

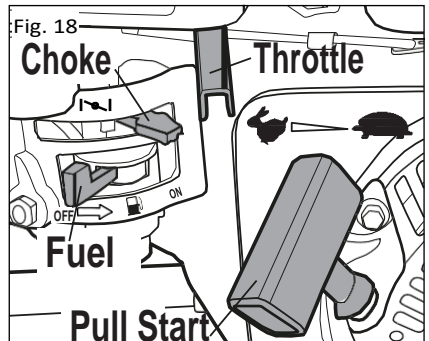


Fig. 18

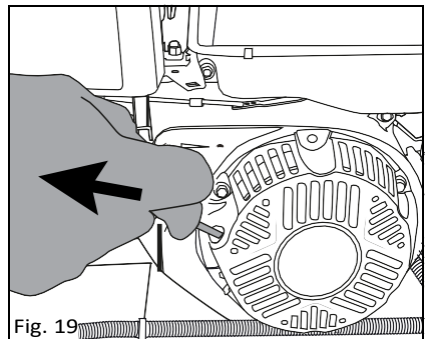

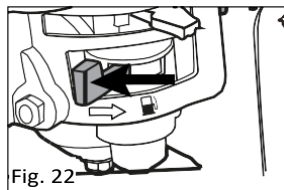
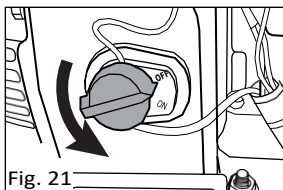
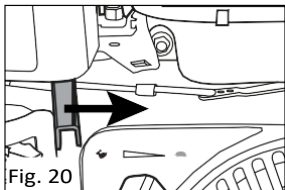


Fig. 19

## OPERATION (cont.)

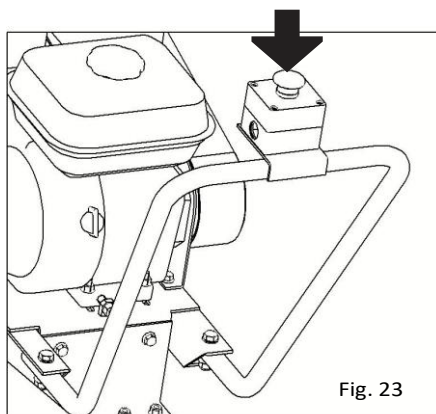
### Stopping the Engine

1. Move the throttle lever fully right towards the  indicator (fig. 20), move the engine on/off switch to the OFF position (fig. 21) and fuel lever left, closed position (fig. 22).



### Emergency Stop

If the engine is stopped using the emergency stop button (10) (fig. 23), reset the button by rotating it right until it pops up. The button must be reset in order to start the engine.



### Chipping & Shredding



**WARNING!** The wood chipper is not suitable for materials including glass, metal plastic bags, stones, fabric, vines, soft leafy material and waste without firm consistency (eg kitchen waste).



**WARNING!** To prevent damage to the wood chipper it is recommended that garden material greater than 50mm in diameter (green) or 30mm in diameter (dry) is not fed into hopper.

The following types of material can be used in the wood chipper

- ¥ Trees, including roots.
- ¥ Branches.
- ¥ Waste from cut branches.
- ¥ Waste from hedge trimming.
- ¥ Bamboo



## OPERATION (cont.)

1. Feed the material to be shredded into the hopper inlet (2).



**CAUTION!** Stay clear of the discharge chute opening the chips that are expelled can hurt you or may cause serious injury (fig. 24).

2. Once the material makes contact with the blades it will be pulled into the machine, no need to push it in.



Fig. 24

**Note:** The wood chipper may clog if too much fine material is fed in. To prevent clogging, mix fine material with larger material.

3. When finished, stop the engine as described in "Stop the engine" section of this manual.

### Tips

Following the below procedures will improve operation and prolong the life of the wood chipper.

- ¥ Trees and branches should be shredded shortly after they are cut. They become extremely hard once dry and the maximum cutting diameter is reduced.
- ¥ Garden waste such as fresh foliage, creepers and vines contain a lot of moisture, this can result in material sticking to the cutter head. Such material should be allowed to dry for a few days before being fed into the shredder.
- ¥ Always check material before shredding, ensure it does not contain any stones or nails as this may severely damage the shredder.
- ¥ Material that contains dirt will rapidly blunt the cutting blades and should be avoided.
- ¥ For roots, always remove dirt and tones before chipping.
- ¥ When chipping large material, process one branch at a time.
- ¥ During the chipping process, place the larger side first (trunk side before branch) in order to get good chipping.

## OPERATION (cont.)

### Discharge Chute Cover (fig. 25)

The discharge chute has an adjustable cover (1), this is used to direct where the chippings are expelled

1. Loosen, do not remove, the four bolts.

2. Adjust up or down as required.

**Note:** In the upper most position the chippings will fall further away.

3. When adjustment is completed, firmly tighten bolts.

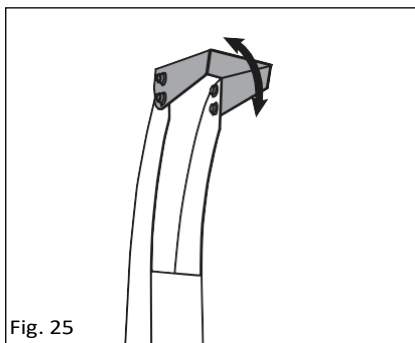


Fig. 25

### Clearing Jammed Blades

If the blades become jammed, this is usually caused by attempting to shred material that is too large.



**CAUTION!** Blades are sharp, handle with care. It is recommended to use gardening or safety gloves when handling or cleaning the blades.

1. Stop the engine.

2. Remove the hopper (4) and discharge chute (15) (fig. 26-27). Ensure both are free of any obstructions.

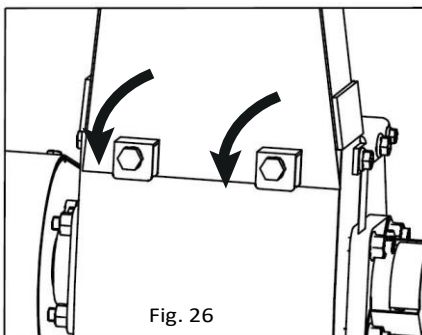


Fig. 26

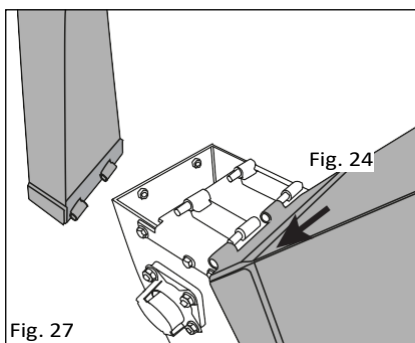


Fig. 27

Fig. 24

## OPERATION (cont.)

3. To allow access to the blade shaft remove the two nuts from the blade shaft cover (14) (fig. 28 ).

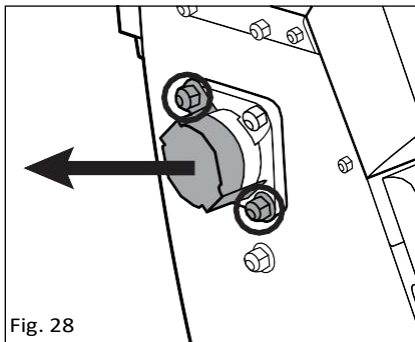


Fig. 28

4. Rotate the blade shaft as required using a 17mm spanner (not supplied) (fig. 29).

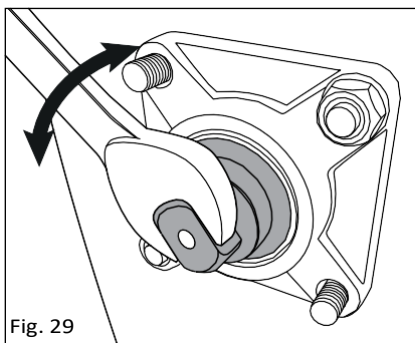


Fig. 29

5. Carefully clean out the cutting and discharge area. Ensure that all debris is removed to prevent the blades from clogging. The discharge area should be free of all organic matter (fig. 30).
6. Once the blades are completely clean refit blade shaft cover (14),hopper (4) and discharge chute (15).

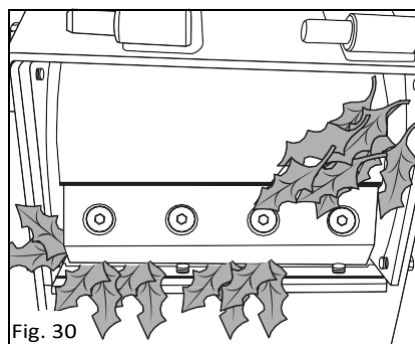


Fig. 30

# MAINTENANCE

- ¥ The engine should be cool enough to touch before performing any maintenance.
- ¥ Inspect and maintain the wood chipper before each use. If the wood chipper has been used previously, it must be inspected and maintained before each subsequent use.
- ¥ Always shut off the engine before inspecting, cleaning, adjusting, or repairing the wood chipper.
- ¥ Remove debris from the engine, muffler, and moving parts. Debris on a hot engine can be a fire hazard. Clean debris and chaff from the engine cylinder head, cylinder head fins, blower housing rotating screen, and muffler areas.
- ¥ After the first 25 hours of use the engine oil requires to be replaced, and then every 50 hours after that. Refer provided engine manual for further engine maintenance procedures.



**CAUTION!** Avoid contact with hot muffler.

## Replacing Blades

The blades supplied with the wood chipper are re-sharpened and will become blunt over a period of time. Additional blades & bolts can be obtained as spare parts. Always replace both blades at the same time. Ensure the blades are kept in good condition and correct clearance is maintained.



**CAUTION!** Blades are sharp, handle with care. It is recommended to use gardening or safety gloves when handling or cleaning the blades.

1. Stop the engine.
2. Remove the hopper (4)
3. To allow access to the blade shaft remove the two nuts from the blade shaft cover (14) (fig. 31).
4. Rotate the blade shaft as required using the 17mm spanner (fig. 32).

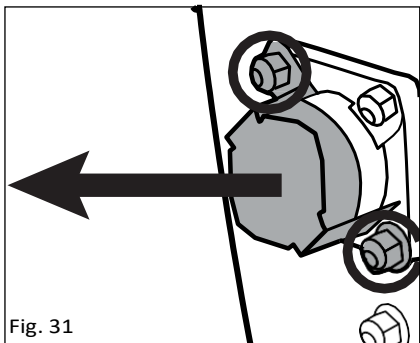


Fig. 31

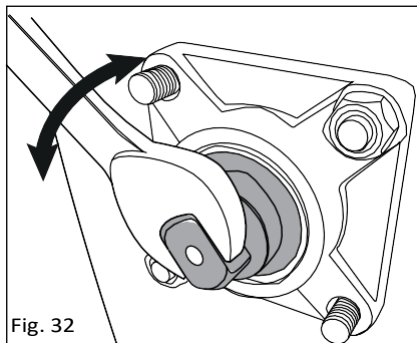
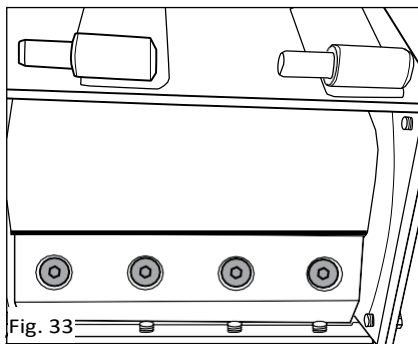


Fig. 32

## MAINTENANCE (cont.)

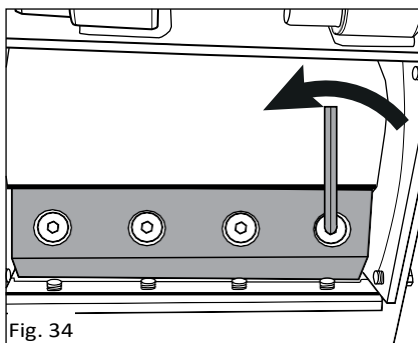
5. There are two blades and these are each fixed to the rotating drum with four screws. To remove the blades first clean out any debris and build up of material from the screw heads. Rotate the blade shaft to position the first blade, allowing you to access screws (fig. 33)



6. The screws may be tight due to corrosion and dirt buildup. Ensure that the supplied hex key (17) is a good fit onto the screw and that the hex key (17) is held firmly and at right angles to the blade.

Remove the four blade securing screws by rotating the hex key (17) in the anti-clockwise direction. (fig. 34).

7. To remove the second blade repeat steps 5 and 6.



**Note:** It is recommended to add Loctite™ 222 Threadlocker to the thread of the blade securing screws, Loctite™ 222 Threadlocker is available from all Bunnings stores. This assists in securing the screw and reduces the chance of the blade securing screw vibrating loose whilst in operation.



**WARNING!** Ensure the blade securing screws are fully tightened prior to operation. If there is any vibration or abnormal noise after re-starting the wood chipper, immediately stop operation. Check that the blades are assembled correctly and securely tightened.

8. Once the blades are replaced refit blade shaft cover (14) and hopper (4).

## MAINTENANCE (cont.)

### Drive Belt (fig. 35-39)

If the drive belt is damaged, it should be replaced. Ensure that the drive belt tension is maintained at all times. If worn, slipping may occur (this is usually noticeable by a squealing noise) or slowing and or stopping of the blades when the machine is under load.

1. Stop the engine.
2. Remove the belt cover by removing the six bolts with M10 spanner.

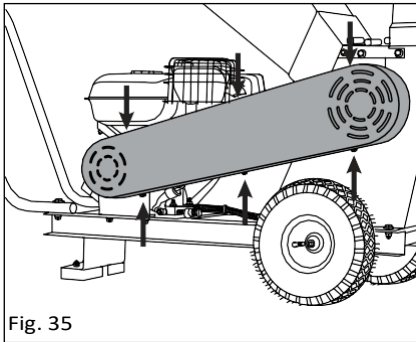


Fig. 35

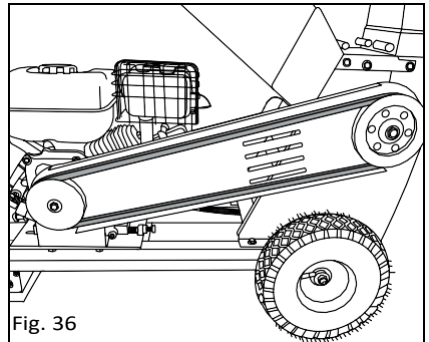


Fig. 36

3. Loosen, do not remove the four engine mounting bolts (**A**) (two on the front and two on the rear side of the engine).
4. Loosen, do not remove the two engine locating bolts (**B**), one either side of the engine. Depending on the direction you need to move the engine, you can either increase or decrease the drive belt tension. By rotating these two bolts sufficiently you can slide the engine either forward or backward.

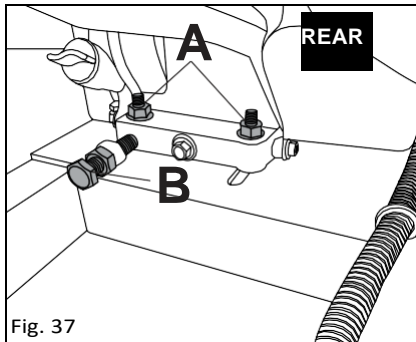


Fig. 37

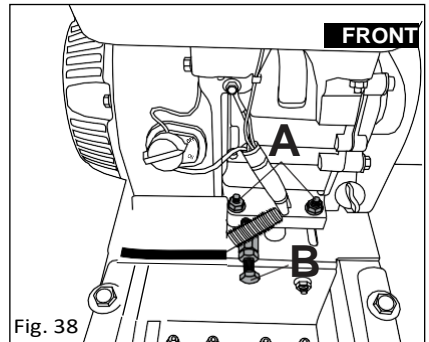
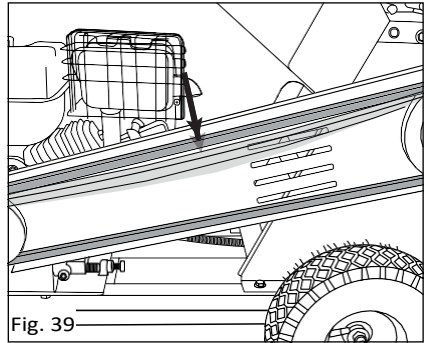


Fig. 38

## MAINTENANCE (cont.)

### ¥ **Belt tension adjustment**

Adjust the engine position so that when you press hard in the middle of the drive belt it should deflect approximately one belt thickness.



### ¥ **Belt replacement**

Adjust the engine position so that the engine can be moved sufficiently allowing the drive belt to be removed/installed over the drive pulleys. Adjust the belt tension as described in "**Belt tension adjustment**".

**Note:** When replacing the drive belt, always use the correct belt type.

5. When you have the belt tensioned correctly, firmly tighten the four engine mounting bolts and refit the belt cover.

## TRANSPORTING & STORAGE

### Moving the Wood Chipper

- ¥ When transporting a short distance, it is advised that you use the transport handle (7).
- ¥ Do not overfill the fuel tank (5) (there should be no fuel in the filler neck).
- ¥ The engine is off and the fuel lever is fully left, closed position.



**WARNING!** Never move the wood chipper with its engine running.

- ¥ Check the tyres to ensure they are at the recommended tyre pressure (20 psi).



**WARNING!** Never allow anyone to sit or ride on the wood chipper.

**WARNING!** Never transport cargo or garden debris on the wood chipper

- ¥ Never operate the wood chipper on the back of a vehicle or on a trailer.

### Before Storage

Follow the instructions below for storing your log splitter between uses.

- ¥ Allow the wood chipper to cool before storage.
- ¥ Clear debris from hopper and discharge chute. Use a damp cloth to clear exterior surfaces of the engine and wood chipper. Use a soft bristle brush to remove excess dirt and oil. Use an air compressor (25 PSI) if necessary to clear dirt and small debris.
- ¥ Lightly oil the cutting blades after each use to help prevent corrosion.



**CAUTION!** Never spray the engine or wood chipper with a pressure washer. Water can contaminate the fuel system and can enter the engine and damage the engine.

- ¥ Refer to the engine manual for proper engine storage instructions.
- ¥ Store the log splitter in a location away from corrosive materials, sources of heat, open flames, sparks, or pilot lights.



**CAUTION!** Never store the wood chipper inside where there is a source of heat or an open flame, spark, or pilot light, such as a water heater, space heater, furnace, clothes dryer, or other gas appliance. EVEN IF the wood chippers fuel tank is empty, residual petrol vapours could ignite.

Never store the log splitter near fertilizer or any other corrosive material.






















# TROUBLESHOOTING

Symptom	Possible Cause	Suggested Solution
The engine does not start	The closure between the hopper or discharge chute and housing has not been closed correctly.	The safety interlock will not allow power to the wood chipper. Tighten the T-bolts in a clockwise direction.
	Engine switch in OFF position.	Move switch to ON position
	Fuel shut-off valve in OFF position.	Move valve to ON position
	Fuel tank empty	Fill fuel tank with fuel
	Spark plug disconnected	Connect spark plug
	Faulty spark plug	Replace spark plug
	Choke lever in wrong position	Adjust choke lever position
	Emergency stop button in OFF position	Reset the button by rotating it right until it pops up
	Faulty engine	Contact customer service
The material to be shredded is not pulling through the unit	Blades jammed	Remove jammed material from the machine
	Obstruction	Remove overly large branches from the machine
		Ensure hopper and discharge chute are free of obstructions
	Drive belt slipping	Adjust drive belt tension
Blades dull or damaged	Sharpen or replace blades	

# CONTENTS

- 1 x Petrol wood chipper
- 1 x Hopper
- 1 x Discharge chute
- 1 x Transport Handle
- 1 x Foot mounting bracket
- 2 x Wheels
- 1 x Axle
- 2 x M8 Bolts & nuts
- 2 x M10 Bolts, nuts & washers
- 1 x 12-14mm Double ended spanner
- 1 x 13-17mm Double ended spanner
- 1 x Spark plug socket
- 1 x Hex key
- 1 x Engine manual
- 1 x Instruction manual

## DESCRIPTION OF SYMBOLS

<b>CC</b>	Cubic Centimeters	<b>rpm</b>	Revolutions per minute
<b>dB</b>	Decibel level	∅	Diameter
	Warning!		Regulator compliance mark.
	Read these instructions carefully.		Wear hearing protection.
	Wear eye protection.		Wear protective gloves.
	Be aware of thrown objects.		Keep hands away from rolling parts.
	Wear a breathing mask.		Beware of cutting fingers.
	No smoking, sparks, or flames.		Unleaded Petrol
	Toxic Fumes		Choke control
	Slow - Minimum engine speed		Fast - Maximum engine speed
	Keep children and bystanders a safe distance from working machine.		
	Do not touch parts that are hot from operation. Serious burns may result.		
	Be sure the engine's switch is off before transporting the machine or performing any maintenance.		